

APPLICATION

The Brand-Rex Cat5e unshielded Tool-Free jack is part of the Brand-Rex **GigaPlus** cabling system. When used within a channel the tool-free jack provides an industry leading electrical performance. The jack is innovatively designed for QUICK, EASY and EFFICIENT product termination. Requiring low insertion force, no termination tool is necessary and there is no need for flat surface termination. Tests prove the truly tool-free jack halves the termination time, therefore greatly reducing installation labour time...ultimately saving you money. The jack is fully compatible with all our UK and Continental style faceplates and patch panel products.

FEATURES

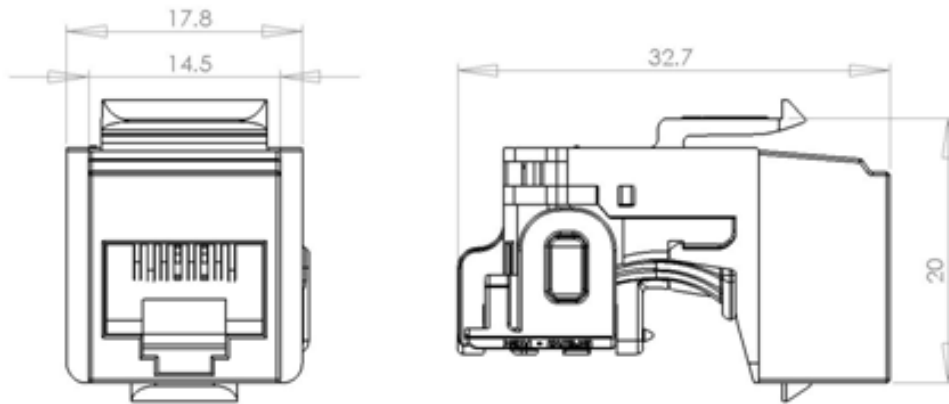
- Fast termination time
- Patented contact array providing standards compliance electrical performance
- Low contact insertion force guaranteeing tool free termination.
- Compact Design:
 - 16.3mm width
 - 32mm depth
- Colour coded contact array clearly distinguishes blue for Cat5 performance
- Rear, top or side entry cable configuration for maximum flexibility
- Tool free re-termination.



ORDER INFO

Brand-Rex Part Number	Item Description	Weight per Item (nom)	Qty per Pack
GPCJAKU002	Cat5 Un-Shielded Tool Free Jack	20g	12

PHYSICAL CHARACTERISTICS



APPLICABLE PRODUCT STANDARDS

- ISO/IEC category: Category Cat5 performance connector for use in Class D cabling systems
- ISO/IEC 11801 ed 2.2 (2011)
- IEC 60603-7, 7-1,7-41
- EIA/TIA 568C series: Category 5 performance

ENVIRONMENTAL CONDITIONS

- Operating temperature from -10°C to 60°C at 93% relative humidity, non-condensing
- Storage temperature from -40°C to 70°C

ELECTRICAL CHARACTERISTICS

Voltage Proof	1500V dc / ac peak
Current-temperature derating	compliant with IEC 60603-7
Contact Resistance	<20mΩ
Insulation Resistance	>500MΩ
Coupling attenuation	>61dB

MECHANICAL SPECIFICATION

IDC Contacts:	Accept solid wires 26-22AWG
Apertures:	The product fits into 14.9mm x 19.8mm (WxH) cut outs with 1.5mm-1.6mm plate thickness.
Repeat plug insertions:	>750 mating cycles with an IEC 60603-7 complaint plug Product tested to 2500 insertion cycles
Wiring:	T568 A and B wiring types
Contact Pins	Phosphor Bronze, Nickel Plated with selective gold plating (50micro-inch min) over contact area

Note that each product pack contains a full installation instruction.

REGULATIONS & COMPLIANCE

RoHS 2011/65/EU Compliant

*“Brand-Rex is **dedicated to designing, developing and manufacturing sustainable high performance structured cabling and speciality cabling solutions**”*

The information contained in this document is valid and correct at the time of issue. Brand-Rex reserves the right to modify details without notice in light of subsequent standard/specification changes and ongoing technical developments.